



## Desk Panel DPG1C Data sheet

# DPG1C

---

The Desk Panel DPG1C is the advanced desk panel in the DPG series. It features Bluetooth® connection, four favourite positions, a display to guide the users and a reminder via a light strip to remind the users to use their desks. The DPG1C is activated by tilting the desk panel in the same direction as the desk is intended to drive, which makes it an intuitive desk panel. The DPG1C features a modern discreet design with a glossy surface and an integrated display to ensure a clean and minimalist design. The display provides guidance to the users when operating the desk. Via pulsating green and orange lights, the light strip reminds the users to change positions. Using the integrated Bluetooth® and downloading the Desk Control™ App the users can also be reminded via notifications on smart devices.



---

## Features:

- Intuitive desk panel for office desks
- Reminder function via a light strip
- Four favourite positions
- Display
- Bluetooth®
- Colour: Black (RAL 9005)
- Black cable with modular Jack plug, 1700 mm straight
- PVC-Free™
- Featuring ZERO™: Very low power consumption in standby mode

## Options:

- Automatic drive to favourite positions
- Customer logo in display

## Usage:

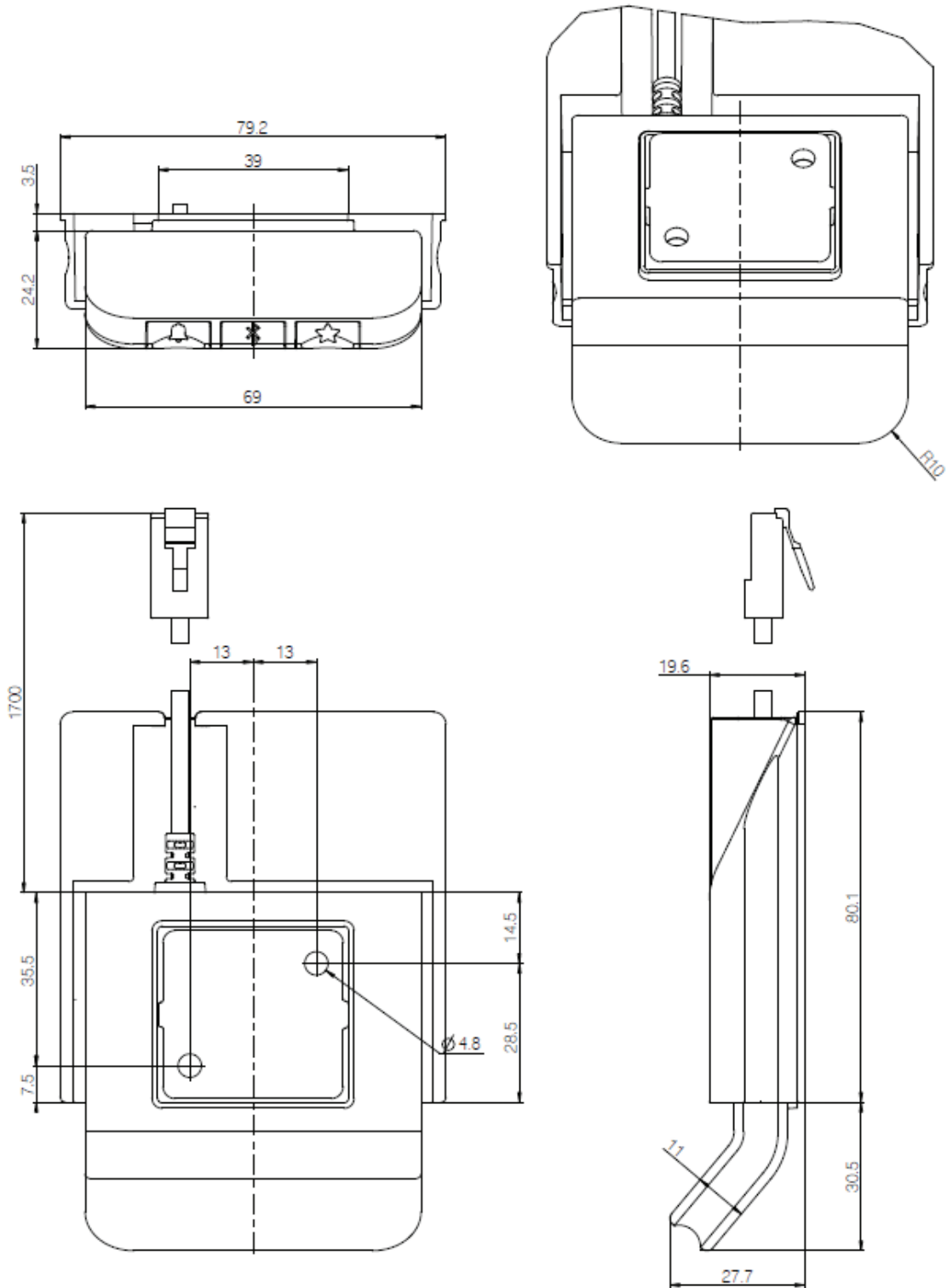
- Compatible with DESKLINE® control boxes and DL IC systems
- Compatible with Desk Control™ Apps
- Approved in accordance with EN 60335-1
- Approved in accordance with UL962

Can be used and stored under the following conditions:

Parameter	Operation	Storage
Ambient temperature	5 to 40 °C	-10 to +50 °C
Relative humidity	20 to 80 % at 30 °C	20 to 80 % at 30 °C
Atmospheric pressure	800 to 1060 hPa	700 to 1060 hPa

### Dimensional drawings

DPG1C with cover



## DPG1C

### Ordering example:

<b>DPG</b>	<b>1</b>	<b>C</b>	<b>0</b>	<b>2</b>	<b>-</b>	<b>0</b>	<b>0</b>	<b>0</b>	<b>0</b>	<b>0</b>	<b>6</b>		
												<b>Cable:</b>	6 = 1700 mm (+/- 70 mm) straight cable with RJ45 modular plug
												<b>Standard:</b>	0 = cm 1 = inch
												<b>Housing colour:</b>	0 = Black (RAL 9005)
												<b>Standard:</b>	0 = Standard
												<b>Standard:</b>	0 = Standard
												<b>Mounting:</b>	0 = Standard
												<b>Display colour:</b>	2 = White display
												<b>Option:</b>	0 = Limited version * 3 = Full version **
												<b>Variant:</b>	C = Up and down, display, favourite positions, Bluetooth® and sit/stand remind
												<b>Channels:</b>	1 = One reference
												<b>Type:</b>	DPG

\* No wireless control through app and no automatic drive

\*\* Wireless control through app and automatic drive possible

#### Terms of use

The user is responsible for determining the suitability of LINAK products for specific application. LINAK takes great care in providing accurate and up-to-date information on its products.

However, due to continuous development in order to improve its products, LINAK products are subject to frequent modifications and changes without prior notice. Therefore, LINAK cannot guarantee the correct and actual status of said information on its products.

While LINAK uses its best efforts to fulfill orders, LINAK cannot, for the same reasons as mentioned above, guarantee the availability of any particular product. Therefore, LINAK reserves the right to discontinue the sale of any product displayed on its website or listed in its catalogues or other written material drawn up by LINAK.

All sales are subject to the Standard Terms of Sale and Delivery for LINAK. For a copy hereof, please contact LINAK.